

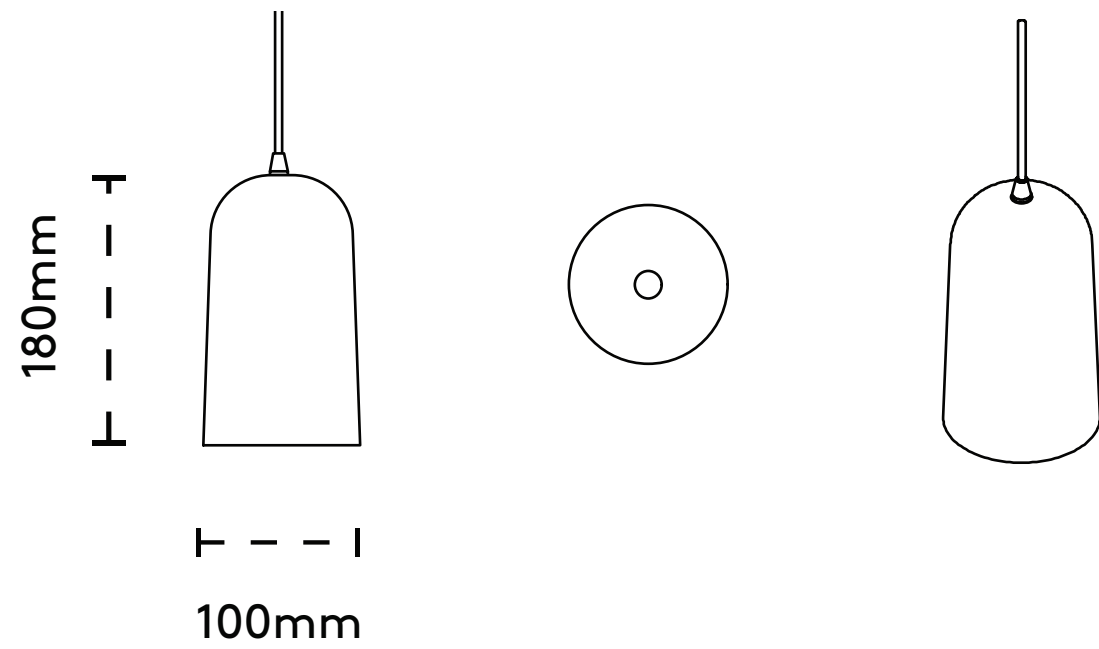
BRICK PORCELAIN

A unique ceramic body developed at the workshop combining refined porcelaneous materials with recycled brick aggregate.

This body was developed for lighting products, it is strong and highly translucent. When lit, it creates a warm glow, the surface speckled with tiny pieces of brick.

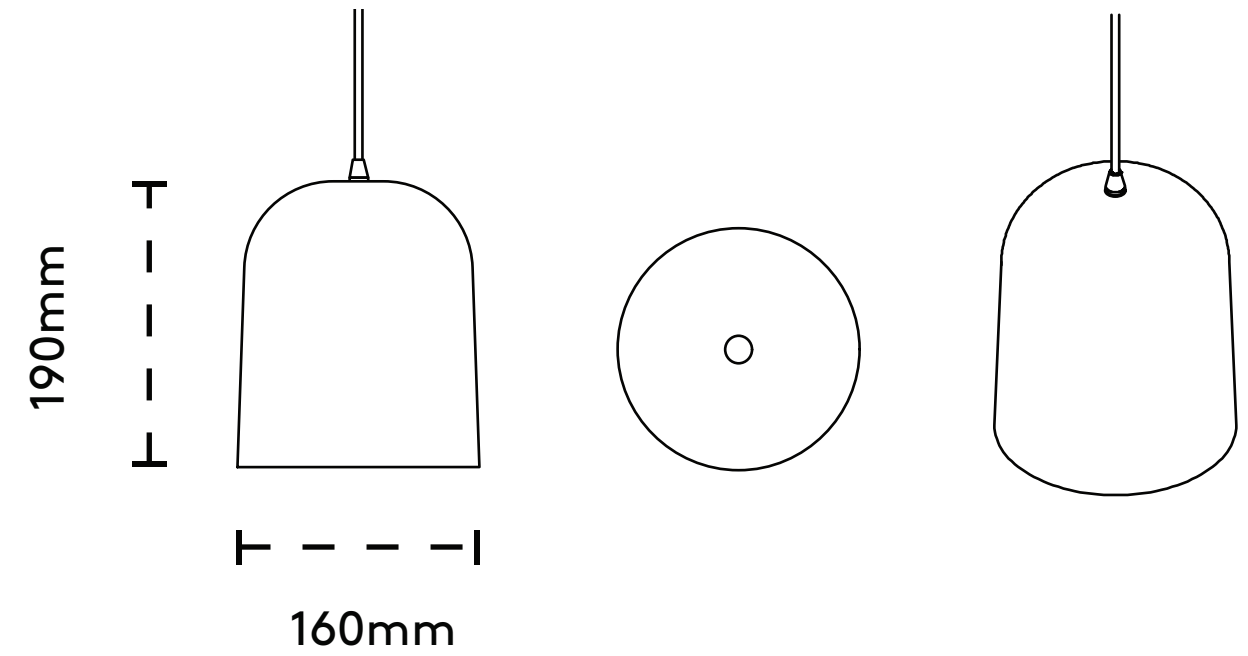
The subtly irregular lampshade forms are slipcast, and fired to 1300C, where the brick speckles darken and the white becomes translucent.





Pendant lampshade 1

Dimensions: 180 x 110mm
Weight:
Material: Porcelain
Bulb: E27 Screw
Bulb holder: Ceramic
Cable: 1.5 black fabric cord
Ceiling Rose: Black powder coated spun metal
Availability: 2-4 weeks



Pendant lampshade 2

Dimensions: 190 x 160mm
Weight: 500g (shade only)
Material: Porcelain
Bulb: E27 Screw
Bulb holder: Ceramic
Cable: 1.5 black fabric cord
Ceiling Rose: Black powder coated spun metal
Availability: 2-4 weeks